

## Features

- 230-240V AC 50Hz Input
- Direct UK Fixed Plugtop Adapters
- Approved to UKCA, CE, TUV, RoHS & REACH
- BS EN 61558-2-6 & BS EN 61558-1 Safety Approved
- Meets Efficiency Level VI & (EU) 2019/1782
- Output Voltage 12V
- Output Current 0.5A



Ideal Power's 77DB-06-xy-M 6VA AC/AC External Adapter UK Plugtop Power Supply (PSU) Series are certified to UKCA, CE, TUV, RoHS, REACH & BS EN 61558-2-6 & BS EN 61558-1 Standards and comply with (EU) 2019/1782, Level VI Efficiency Regulations. These are primarily used in ITE, Audio & Video Industries and customised solutions are available upon request.

### Models

Model Number	Output Voltage V AC	Output Current Amp	Output Power VA
77DB-06-12	12	0.5	6

### Input Data

	Min	Typical	Max	Units
Input Voltage	230	--	240	V AC
Input Frequency	--	50	--	Hz

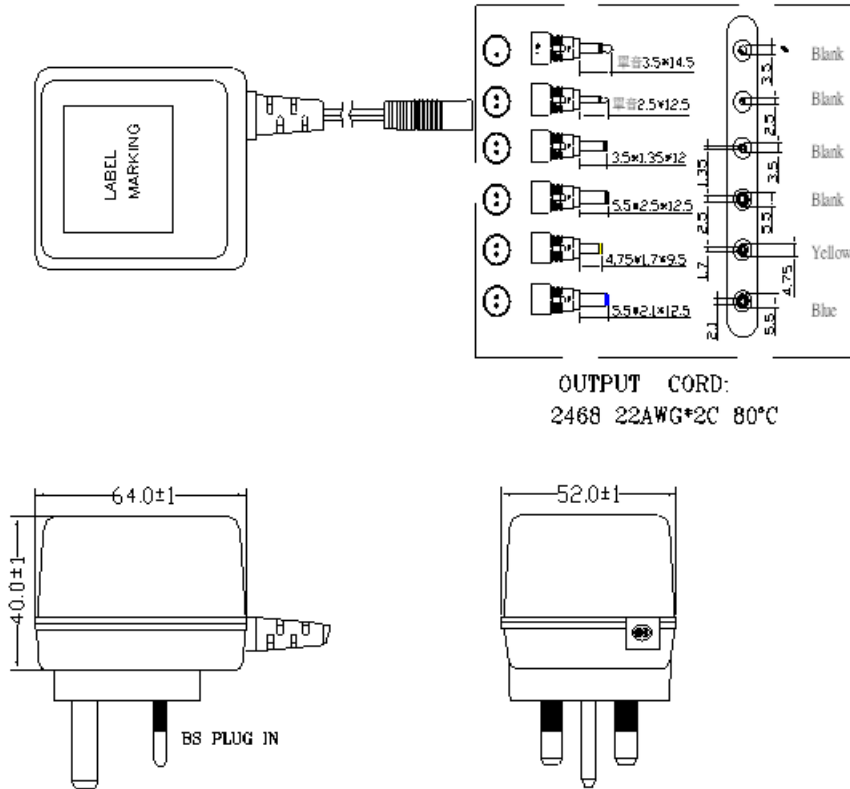
### General Specifications

	Min	Typical	Max	Units	Notes
Operating Temperature	-10	--	+40	°C	
Storage Temperature	-20	--	+70	°C	
Relative Temperature	--	40	--	°C	±2°C
Relative Humidity	--	90	--	RH	
HI-POT: PRI To SEC PRI To CORE SEC To CORE	--	3750	--	V	
Safety Standard	BS EN 61558-2-6 & BS EN 61558-1				
Insulation Class	B (130) °C				

Other Information

Dimensions	64 x 52 x 40 mm
Output Cable	2468 22AWG*2C 1.8m Length + 6 Piece Connector Set

Mechanical Drawing



Electrical Circuit

